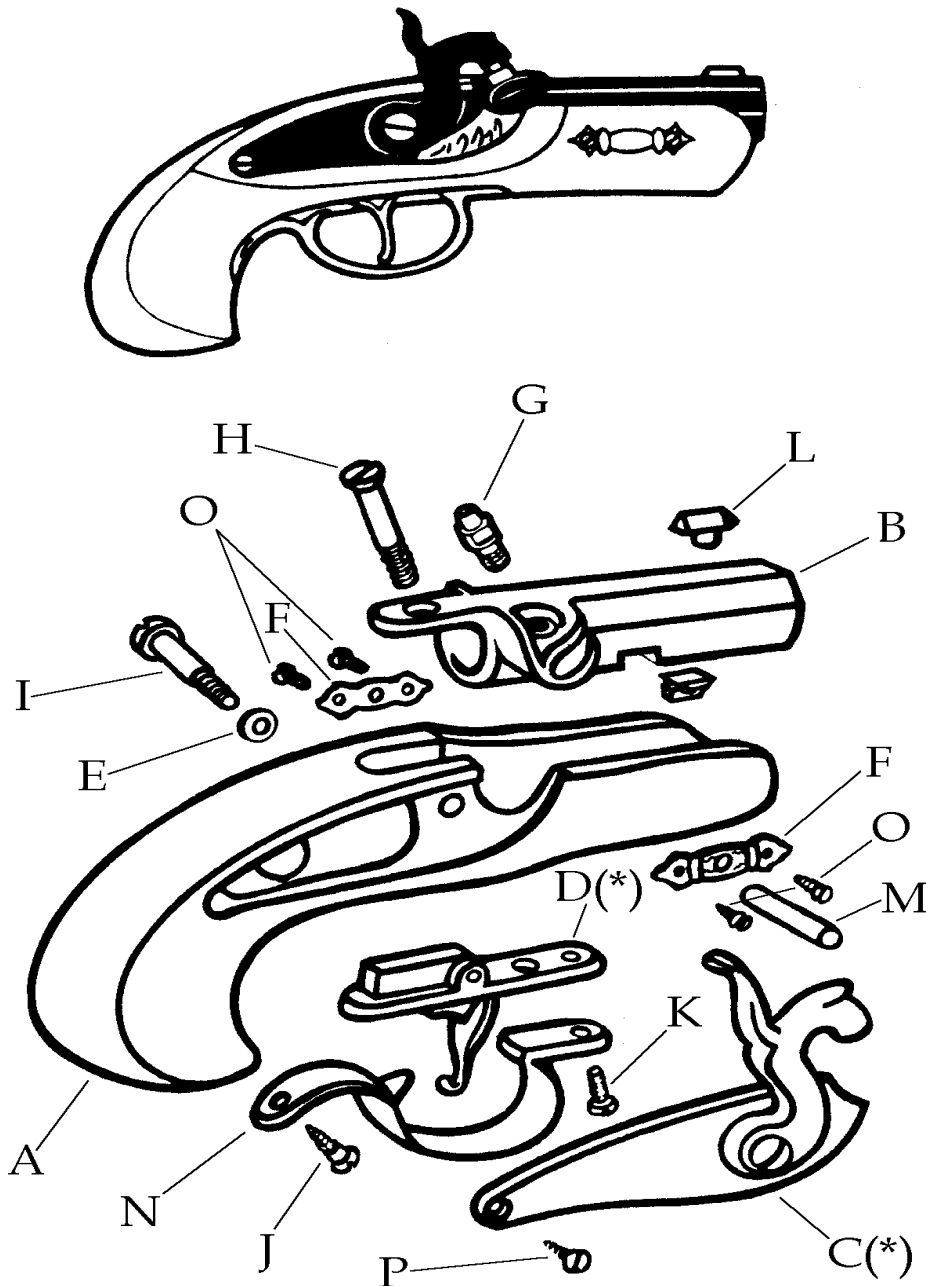


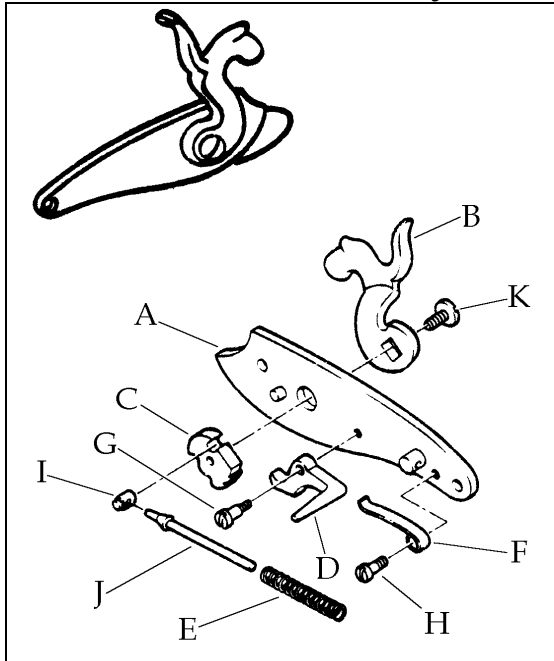
<b>- Philadelphia Derringer Pistol -</b>		
	<b>Finished</b>	<b>Kit</b>
<b>Models:</b>	<b>P-1015</b>	<b>KP-5015</b>
	.45 cal. perc. 1-16" Blued Barrel	.45 cal. perc. 1-16" Blued Barrel



Description	Reference		Description	Reference
A Stock (Beech) (kit).....	K-10101	G	Nipple Percussion Only.....	20608
Stock Beech (Percussion) (Finished).....	FCS10101	H	Tang Screw.....	10119
B Barrel Assembly (Kit)		I	Lock Washer Screw.....	10121
.45 cal. perc. (twist 1-16").....	C-101025	J	Rear Trigger Guard Screw.....	20624
Barrel Assembly Blued (Finished)		K	Front Trigger Guard Screw.....	36014
.45 cal. perc. (twist 1-16").....	FB101025	L	Front Sight.....	10411
C Percussion Lock.....	10103	M	Tennon Pin.....	20218
D Trigger Assembly.....	20122	N	Trigger Guard (Brass).....	10423
E Lock Washer.....	10436-P	O	Tennon Pin Plate Screw (4).....	10117
F Tennon Pin Plate (2).....	10116L	P	Lock Plate Screw.....	400024

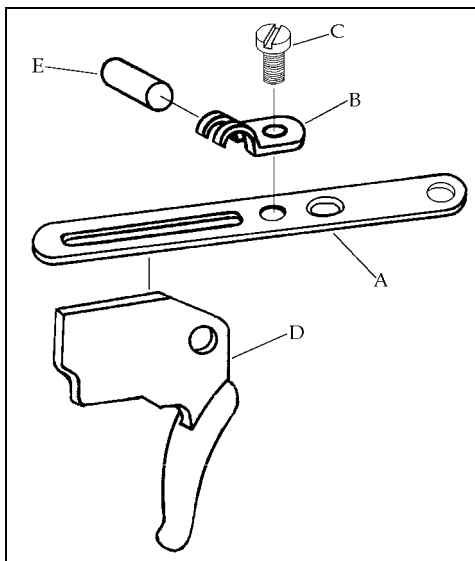
(\* ) Exploded view at the reverse.

Percussion Assembly - Ref. 10103



	Description	Reference
A	Lock Plate.....	80101
B	Hammer.....	80102
C	Tumbler.....	80103
D	Sear.....	70504
E	Coil Spring.....	80105
F	Sear Spring.....	80106
G	Sear Screw.....	70514
H	Sear Spring Screw.....	70121
I	Front Coil Spring Pin.....	80123
J	Coil Spring Body.....	80122
K	Hammer Screw.....	70512

Trigger Assembly  
- Ref. 20122



	Description	Reference
A	Trigger Plate.....	60301
B	Trigger Bridle.....	60403
C	Bridle Screw.....	60406
D	Trigger.....	60402
E	Pin.....	60404